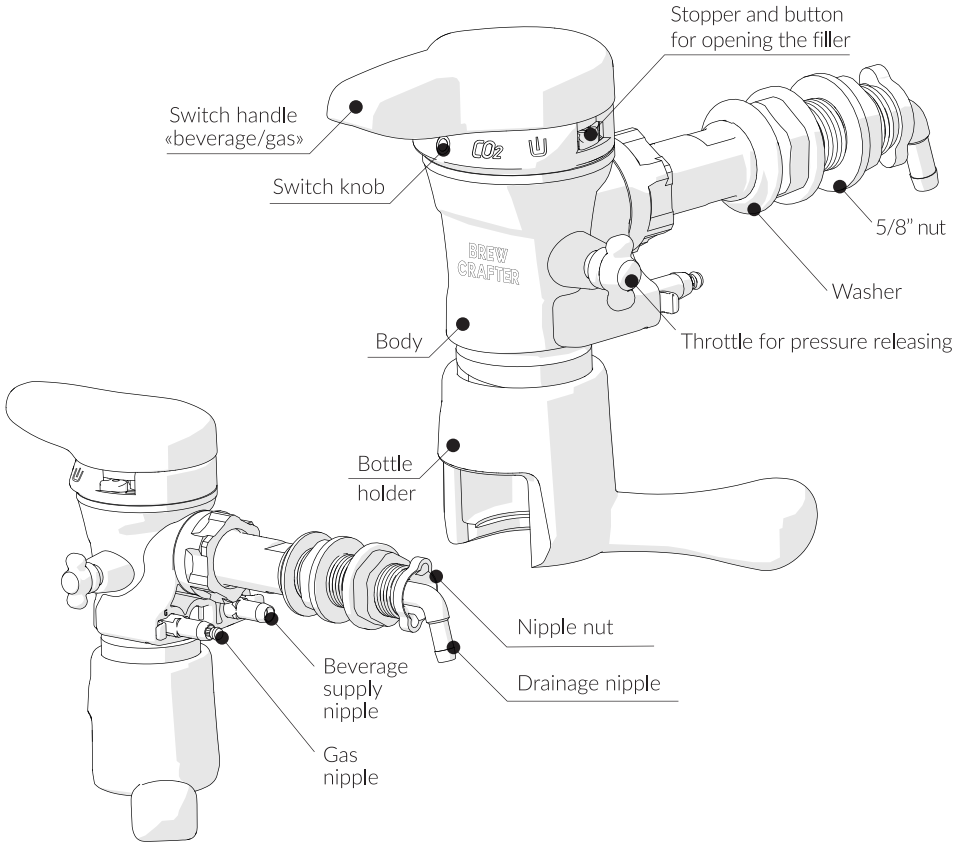


BREW CRAFTER

Brew Crafter counter pressure bottle filler



Technical Data

CO2 pressure 0,7 – 2,5 bar (0,07 MPa – 0,25 MPa).

Manufacturer and contact details

Made by PEGAS Distribution UAB
Tarandės g.4, LT-14188 Vilnius, Lithuania

Promoted by Brew Crafter

Contact details: info@brewcrafter.shop

website: brewcrafter.shop

Basic safety instructions

Limitation of liability

The manufacturer accepts no liability for:

- damage or injury caused by improper operation
- damage or injury caused by non-intended use
- poor maintenance or cleaning
- failure to comply with the technical documentation
- technical modifications by the user
- the use of non-approved spare parts

Intended use

The bottle filler is used for filling containers hereinafter referred to as "bottles", with beer. Beer is carbonated during the filling process.

The operational safety of the bottle filler can only be ensured if used as intended. Usage is only considered as intended if:

- the limits of application are respected.
- cleaning and maintenance are carried out according to the operating instructions.
- cleaning and maintenance intervals are kept as specified in the operating instructions and performed when indicated by the bottle filler.

Once installed by a specialist, the bottle filler is intended for use by home brewers and microbrewers and is operated by skilled people (brewers).

Bottle

A bottle is any PET (not glass) container suitable for the transport or storage of beer, which meets the limits of application.

Do not use containers or bottles other than those specified in this operating manual.

Danger of damage to the inlet seal if you use bottles with thin walls or a sharp-edged bottle opening. This can cause leaks, deformation and bottle breakage.

- Use only bottles that have thick walls and rounded openings
- Ensure that the bottle opening is fully seated against the seal (visual inspection with the protective cover closed).

Reasonably foreseeable misuse

The manufacturer is aware that some users are using similar bottle fillers for filling glass bottles at the own risk of the user. For those users the manufacturer strongly recommends to use a kind of protective cover, not use CO₂ pressure higher than 0,8 bar.

The bottle must meet the local legal requirements of glass containers suitable for beer.

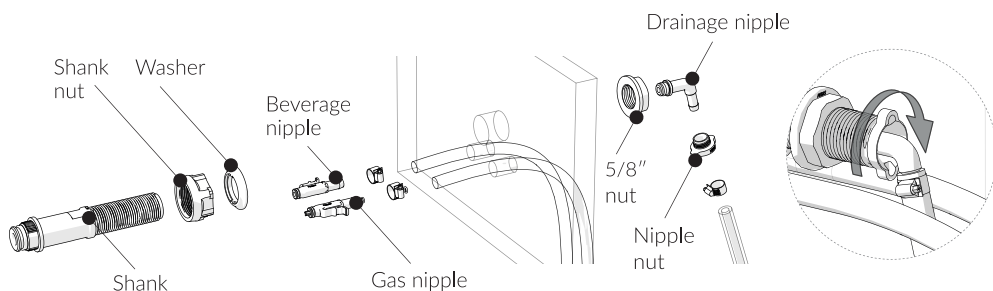
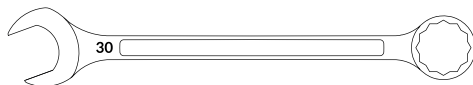
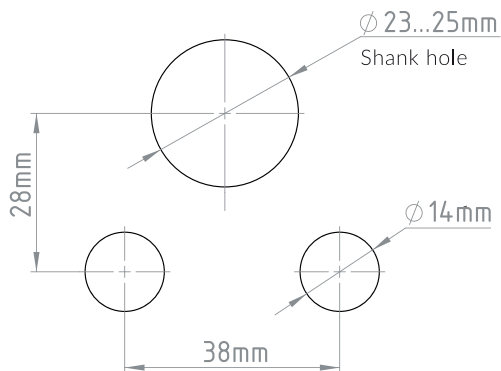
Maintenance

Two seals are subject to wear fast: the bottle inlet seal and the membrane inside of the bottle filler. Change them every 30000 cycles approximately or when needed. Use only original spare parts.

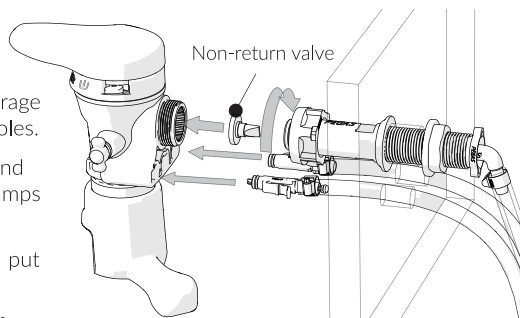
The rest of the seals and o-rings do not move.

Change them only when they are no longer tight or if they have been damaged.

Installation and connection



1. Insert the gas supply hose and the beverage supply hose into the matching installation holes.
2. Place the hoses onto the gas nipple and the beverage nipple. Fix the hoses with clamps (not included to the package).
3. Place the shank nut on the shank. Then put the washer on it.
4. Insert the shank into the shank hole. Fix it from the back with the 5/8" nut.
5. Place the nut on the drainage nipple. Then put the drainage hose on it. Fix the hose with clamps (not included to the package).
6. Place the drainage nipple into the shank. Tighten it up to the stop.
7. Wet the gas nipple with water and place it into the tap.



8. Wet the beverage nipple with water and place it into the tap.
9. Take the silicone non-return valve out of the package and place it between the shank and the tap body (as shown in Figure).
10. Place the tap onto the shank in a vertical position and tighten the nut up.

Adjusting

Every time you change a keg or a CO2 pressure, adjust the throttle to ensure smooth filling without foam. After adjusting you don't need to rotate the throttle when filling a bottle.

Cleaning

Download the hygiene plans from the Brew Crafter official website

More instructions

For more information, instructions, list of spare parts etc., go to the Brew Crafter website.